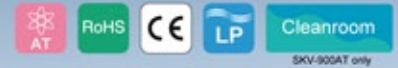


# SK Series

Multipurpose dust collectors for normal environment, equipped with a prefilter and a cylindrical filter. They are characterized by a strong suction power in a very compact size.



## LOW PRESSURE DUST COLLECTORS FOR MULTIPURPOSES



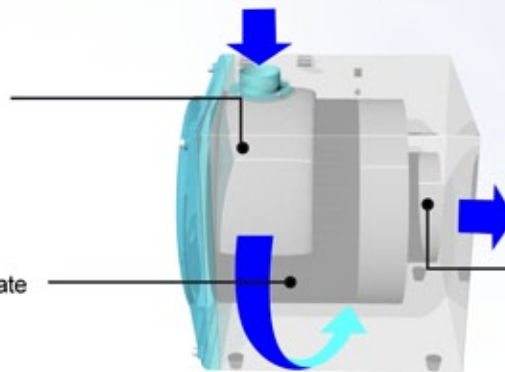
### Specifications

- Compact, moveable, easy to integrate.
- Maximum airflow: 330 to 900 m<sup>3</sup>/h.
- Capacity of prefilter: from 3 to 20 liters.
- Shaking lever (only for the SKV-900AT-HC-V1).
- Adapted to a large range of applications.
- 24h-a-day use without any risk of overheating.
- Transparent lid for a visual checking of the prefilter.
- Possibility to collect precious particulates thanks to a prefilter bag.

### Suction system

**Filter 1 (prefilter):** capture of the most voluminous particles.  
Filtration rate of 95% for particulates  $\geq 45\mu$ .

**Filter 2:** cylindrical filtration rate is 99% for particulates  $\geq 1\mu$  (activate carbon option).



**SKV-900AT-HC-V1:** HEPA filter (filtration rate of 99.97% for particulates  $\geq 0.3\mu$ ).

Exhaust air is finely filtered for a better working environment.

### Control panel



1. Indicator of filters saturation.
2. Signal of anomaly: electrical overload, abnormal temperature (automatic interruption of the dust collector).
3. Speed regulator (7 levels).
4. Stop/Start.
5. Reset button.

### Synchronization plug



1. Synchronization for a remote control.
2. The use of the synchronization leads to the deactivation of the dust collector control panel.
3. Option: 3 or 5 meters of wire with male connection.

### Lever unlogging



Filter shaking lever for unlogging to extend filters lifetime.

### Applications



- Suction of dust when blow cleaning.
- Suction of fine dust from polishing, cutting, drilling, sharpening, fettling, shooting...
- Suction of various powders from pharmaceutical, food products...
- Suction of particulates when making dentures.

**SK-250AT-CE**  
**SK-450AT-CE**  
**SK-750-CE**

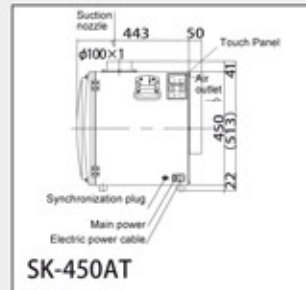
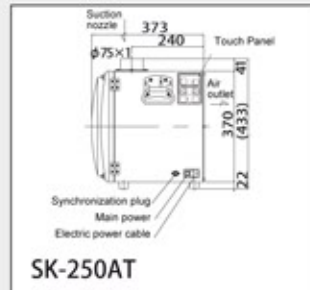
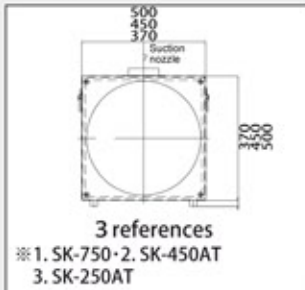


Pre-filter



Cylindrical filter

**Diagram**



**Technical specifications**

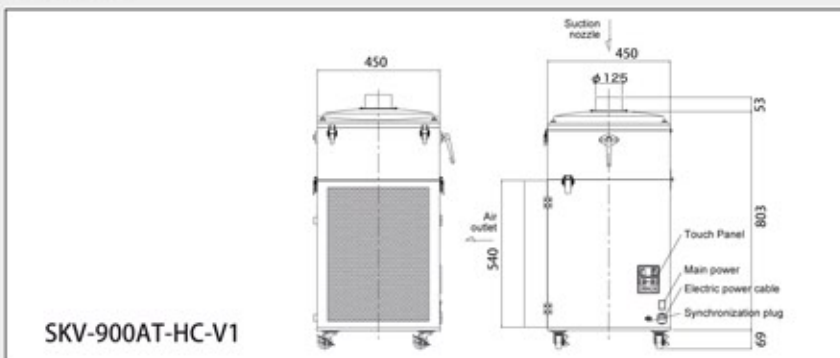
Reference	Power	Voltage	Frequency	Intensity	Maximal air flow	Maximal static pressure	Maximum noise level
SK-250AT	250W	100V-240V	50/60Hz	4.8A	5.5m <sup>3</sup> /min	1.85kPa	57-64dB
SK-450AT	450W	100V-240V	50/60Hz	7.9A	8.7m <sup>3</sup> /min	2.1kPa	54-65dB
SK-750	750W	380V 3-phase	50Hz	3.3/3.5A	11.3/13.7m <sup>3</sup> /min	1.9/2.6kPa	68dB
SK-250AT-DS	250W	100V-240V	50/60Hz	5A	4.3m <sup>3</sup> /min	2.05kPa	65-73dB
Reference	Internal diameter	Touch Panel	Synchronization	Cleanroom	Weight	Dimensions (L×W×H)	
SK-250AT	φ 75 × 1	—	○	○	24.5kg	365 × 370 × 395	
SK-450AT	φ 100 × 1	—	○	○	38.0kg	490 × 450 × 475	
SK-750	φ 125 × 1	○	×	×	40.0kg	580 × 500 × 525	
SK-250AT-DS	φ 75 × 1	—	○	○	24.5kg	365 × 370 × 395	

**Filters**

Reference	Filter 1	Filter 2
SK-250AT	FB-700-16	CS-300-150
SK-450AT	FB-700-22	CS-300-200
SK-750	FB-900-25	CS-300-250
SK-250AT-DS	FB-700-16	CSW-300-150

**SKV-900AT-HC-V1-CE**

**Diagram**



Pre-filter



Cylindrical filter



HEPA Filter



**Technical specifications**

Reference	Power	Voltage	Frequency	Intensity	Maximal air flow	Maximal static pressure	Maximum noise level
SKV-900AT-HC-V1	1000W	200V-240V	50/60Hz	8A	15m <sup>3</sup> /min	3.2kPa	65-73dB
Reference	Internal diameter	Touch Panel	Synchronization	Cleanroom	Weight	Dimensions (L×W×H)	
SKV-900AT-HC-V1	φ 125 × 1	○	○	○	62.0kg	450 × 535 × 924	

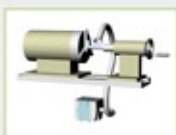
**Filters**

Reference	Filter 1	Filter 2	HEPA Filter
SKV-900AT-HC-V1	FB-900-33-125	CS-300-250	HEP-S040-80

**Examples of applications**



Containers



Spinning



Polishing



Parts conveying



Powder weighing



Sharpening, milling...



Drilling